


Optima

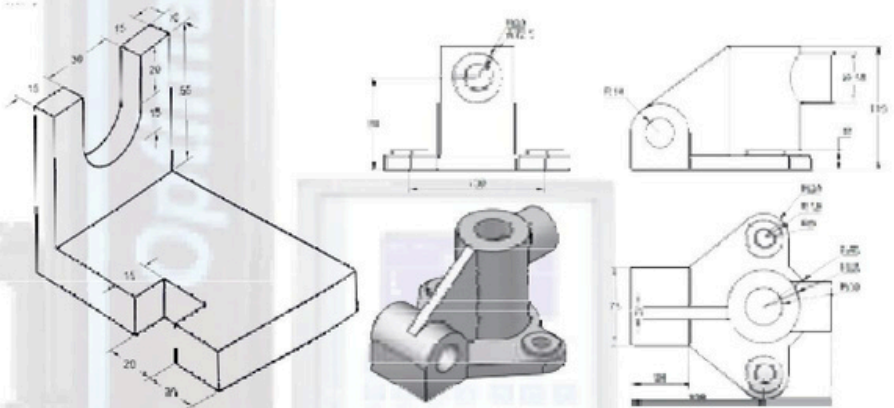


Optima H
Manual M/C



Optima M
Motorized M/C

-  Ergonomically designed controller with TFT Screen
-  Soft touch Keyboard
-  Air Bearing Operation
-  Multiple reference points
-  Passive temperature compensation
-  Data storage in USB Drive
-  Li Ion Battery



Specifications	Optima M/ H	Optima M/ H	Optima M/ H
Measuring range	450 mm	700 mm	1000 mm
Expandable range	765 mm/830 mm	1015 mm/1080 mm	1315 mm/1380 mm
Resolution	0.01 / 0.005 / 0.001 / 0.0005 mm		
Repeatability (2σ)	On Plane ≤ 0.0015 mm On Bore ≤ 0.0030 mm		
Max. Measurement speed	600 mm/sec		
Measuring force	1.2 N ± 0.2		
Max. Permissible error *	2.5+L / 250 μm (L= Length in mm)		
Squareness **	0.0065 mm	0.010 mm	0.015 mm
Air Cushion	Standard		
Operation time (Battery)	20 Hrs		
Operation temperature	10°C to 40°C		
Weight	23 kg	27 kg	30 kg
Standard probe	Carbide Ball Ø 6 X 48 mm		

* Values valid with standard ball probe at temperature 20°C ± 0.5°C

** With electronic probe Magnascan50